

Materials	316L Stainless Steel
Pressure	100 Bar
Ports	1/4" or 1/2"
Element	25.64.□

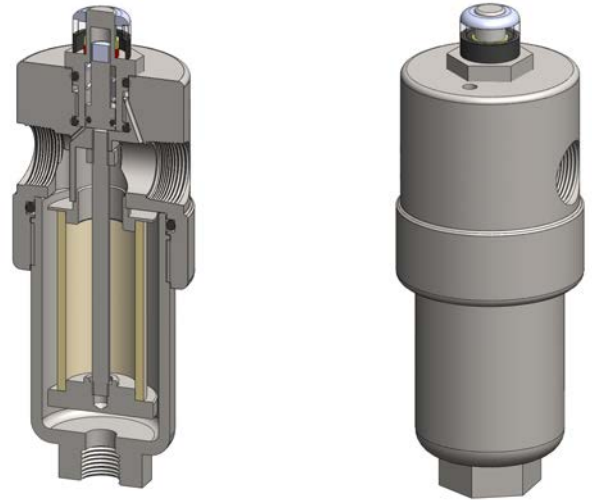
SiS215 series filter housings with differential pressure indicators are specified for 1/4" line size applications and for 1/2" applications where response time must be kept short. If the flow rate or contamination is high, or where service intervals must be kept as long as possible, SiS235 series housings should be considered. For applications over 100 Bar high pressure versions are available, see the SiS216 and SiS218 series.

Standard housings have NPT ports and Viton seals. Other seal types are available as an option. BSPT and BSPP port types are also available.

The housings are free from welds and comply with NACE MR-01-75 and conform to SEP of PED 97/23/EC.

These housings can also be supplied in a wide range of exotic materials, such as Hastelloy, Monel, Titanium etc.

See data sheet CF/2.0/139 for more details about the DPI.



Technical Specifications

Housing Model (1)	SiS215.201	SiS215.221	SiS215.401	SiS215.421	SiS215.441
Port Size	1/4" NPT	1/4" NPT	1/2" NPT	1/2" NPT	1/2" NPT
Drain	None	1/4" NPT	None	1/4" NPT	1/2" NPT
Maximum Pressure, Bar	100	100	100	100	100
Maximum Temperature, °C (2)	100	100	100	100	100
Materials of Construction (3)					
Head, Bowl & Internals	316L SS	316L SS	316L SS	316L SS	316L SS
Magnet (4)	Neodymium	Neodymium	Neodymium	Neodymium	Neodymium
Cover	Acrylic	Acrylic	Acrylic	Acrylic	Acrylic
Seals (5)	Viton	Viton	Viton	Viton	Viton
Filter Element Code (6)	25.64.□	25.64.□	25.64.□	25.64.□	25.64.□
Principal Dimensions in mm					
Diameter	60	60	60	60	60
Height	168	168	168	168	168
Volume, cc	115	115	115	115	115
Weight, kg	1.8	1.8	1.8	1.8	1.8
Accessories					
Support Core	SCSS21	SCSS21	SCSS21	SCSS21	SCSS21
Mounting Bracket	MBSiS21	MBSiS21	MBSiS21	MBSiS21	MBSiS21

Notes

- (1) Change part number to SeS215 for the electrical DPI version
- (2) Maximum temperature 100°C due to differential pressure indicator
- (3) Material abbreviations, 316L SS = 316L Stainless Steel
- (4) The magnet is electroplated with Ni-Cu-Ni
- (5) Add suffix for other seal types, Chemraz = .C, Nitrile = N, Kalrez = .K, EPDM = .E, Silicone = .S, (e.g. SiS215.221.E)
- (6) Replace the □ with the grade required, e.g. 25.64.5CK, 25.64.S20V, 25.64.T20