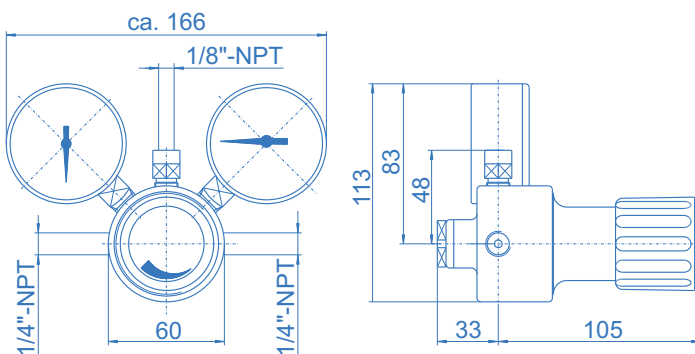


Regulator BT61 for acetylene



Pressure regulator BT61 AC
for acetylene

Dimensions and connections



Product features

- Diaphragm line pressure regulator
- Specially for acetylene
- For flow rates up to 8 m³/h acetylene
- Single-stage with high control accuracy
- Central filter in the pressure regulator
- Safety pressure gauge acc. to DIN EN ISO 5171
- Pressure regulator with integrated relief valve

Technical data

Type	single-stage
Inlet pressure P₁	max. 25 bar
Outlet pressure P₂	0,2 - 1,5 bar

Materials

Body:	brass
Diaphragm:	EPDM
Valve seat regulator:	PA

Ports

Inlet:	1/4"-NPT female
Outlet:	1/4"-NPT female
Pressure gauge ports:	G 1/4" female
Outlet relief valve:	1/8"-NPT female

Temperature range -30°C to +60°C

Leak rate <10⁻⁴ mbar l/s He

Weight approx. 1.8 kg

Ordering information: **BT61 - AC - 25 - 1,5**

(part no.: 717.04954)

Flow rates

Inlet pres. [bar]	Flow [m ³ /h] @ outlet pres. P ₂		
	0,5 bar	1 bar	1,2 bar
18	5,0	6,0	8,0
10	4,5	5,5	6,5
4	3,0	4,0	5,0
2	1,5	2,0	3,0

Performance factor L₁₀ = 3