

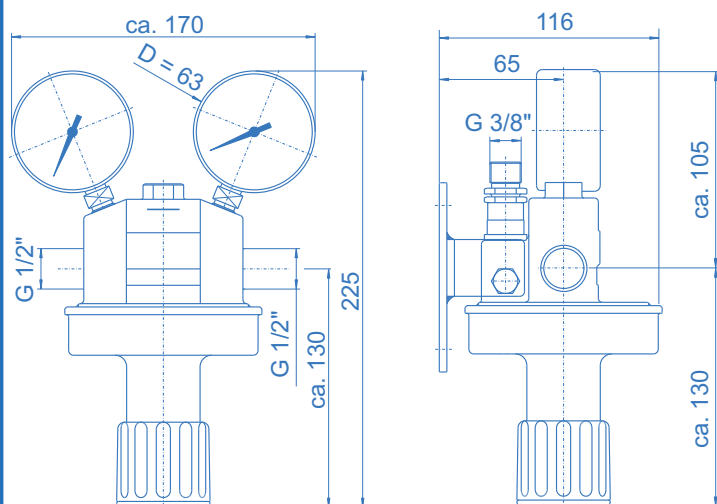
Regulator U11 for acetylene

spectro **tec**



Pressure regulator U11 AC for acetylene

Dimensions and connections



Dimensions with wall bracket 512.07600 (as accessories available)

Product features

- Diaphragm line pressure regulator
- Specially for acetylene
- For flow rates up to 6 m³/h acetylene
- Single-stage with high control accuracy
- Central filter in the pressure regulator
- Safety pressure gauge acc. to DIN EN ISO 5171
- Wall bracket as accessories available

Attention:

For the U11 special fittings with orifice holes have to be used to ensure a correct function of the pressure regulator.

Technical data

Type	single-stage
Inlet pressure P₁	max. 1,5 bar
Outlet pressure P₂	max. 1,5 bar
Materials	
Body:	brass
Bonnet:	Alu (plastic coated)
Diaphragm:	NBR
Valve seat regulator:	PA
Ports	
In- / outlet:	G 1/2" - female
Pressure gauge ports:	G 1/4" - female
Temperature range	-30°C to +60°C
Leak rate	<10 ⁻⁴ mbar l/s He
Weight	approx. 2.5 kg

Ordering information: **U11 W6 L - AC - 1,5 - 1,5** (part no.: 500.96960)

In- and outlet fittings:
see data sheet "fittings"

Flow rates

Inlet pres. [bar]	Flow rate [m ³ /h] @ outlet pressure P ₂			
	0,5 bar	1 bar	1,2 bar	1,5 bar
1,0	1	3	-	-
1,5	2	4	5	6

Performance factor L₁₀ = 4