

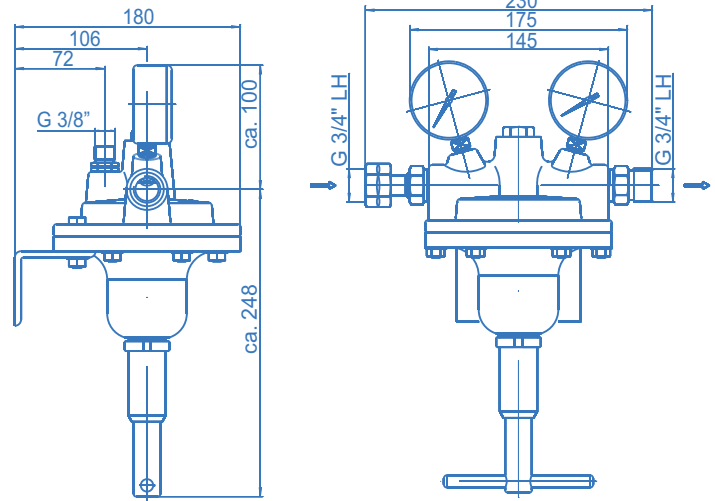
Regulator U23 for acetylene

spectrotec



Pressure regulator U23 AC for acetylene

Dimensions and connections



Dimensions with wall bracket 723.16762 (as accessories available)

Product features

- Diaphragm line pressure regulator
- Specially for acetylene
- For flow rates up to 12 m³/h acetylene
- Single-stage with high control accuracy
- Central filter in the pressure regulator
- Safety pressure gauge acc. to DIN EN ISO 5171
- Pressure regulator with integrated relief valve
- Wall bracket and in- / outlet fittings as accessories available

Technical data

Type	single-stage
Inlet pressure P₁	max. 1,5 bar
Outlet pressure P₂	max. 1,5 bar
Materials	
Body:	brass
Bonnet:	Alu (plastic coated)
Diaphragm:	NBR
Valve seat:	PA
Ports	
Inlet (bull nose):	G 3/4" LH nut
Outlet (bull nose):	G 3/4" LH male
Pressure gauge ports:	G 1/4" - female
Outlet over-pressure valve:	G 3/8" male
Temperature range	-30°C to +60°C
Leak rate	<10 ⁻⁴ mbar l/s He
Weight	approx. 6.5 kg

Ordering information: **U23 - AC - 1,5 - 1,5**

(part no.: 717.07968)

Flow rates

Inlet pres. [bar]	Flow rate [m ³ /h] @ outlet pressure P ₂			
	0,5 bar	1 bar	1,2 bar	1,5 bar
1,5	12	12	12	12

Performance factor L₁₀ = 7,5