

Pressure regulator U33

spectro **tec**



Pressure regulator U33



Pressure regulator U33 with pressure gauge

Product features

- Precision diaphragm pressure regulator
- For non-corrosive industrial gases (acetylene on request)
- Single-stage with high control accuracy
- Safety pressure gauge acc. to DIN EN 562
- Pressure regulator with integrated relief valve to protect the armature (set approx. 10-20 % above outlet pressure)
- Filter in inlet fitting
- Accessories like wall brackets and in-/outlet fittings are also available

Technical data

Type	single-stage
Flow rate Q	max. 25 m ³ /h
Inlet pressure P₁	max. 10 bar
Outlet pressure P₂	5 mbar - 1500 mbar
Materials	
Body and bonnet:	Alu (powder coated)
Diaphragm:	NBR
Valve seat:	NBR
Ports	
In- / outlet:	G 1/2"- female
Inlet for oxygen:	M24 x 1.5
Pressure gauge ports:	G 1/4"- female
Outlet relief valve:	1/8"-NPT
Temperature range	-30°C to +60°C
Leak rate	<10 ⁻³ mbar l/s He
Weight	approx. 2 kg

Outlet pressures and flow rates for the pressure regulators U33 at 10 bar inlet pressure

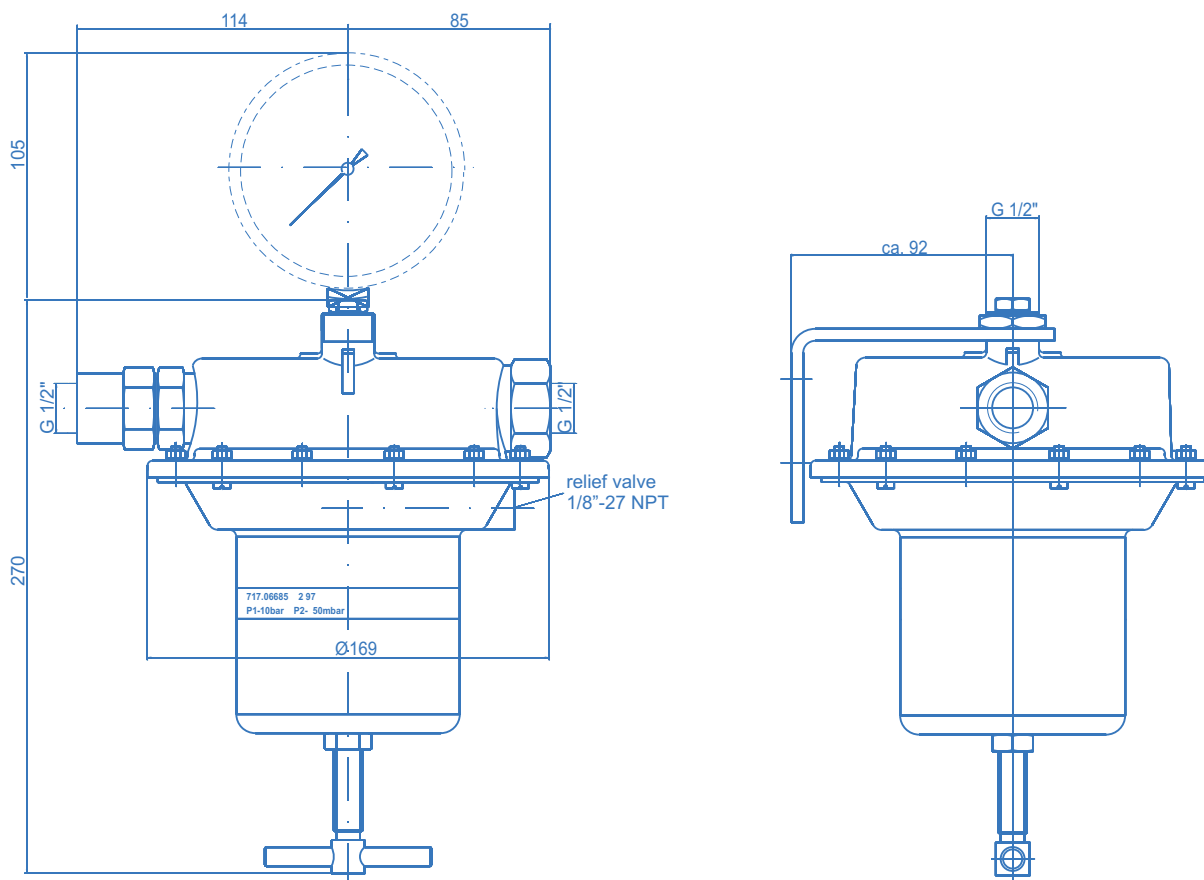
max. outlet pressure P ₂	Flow rate air at outlet pressure
50 mbar	10 m ³ /h
100 mbar	18 m ³ /h
300 mbar	20 m ³ /h
600 mbar	23 m ³ /h
1500 mbar	25 m ³ /h

L₁₀ = 5,5

Pressure regulator U33



Dimensions and connections of the pressure regulator U33 with wall bracket 717.06870 (as accessories available)



Ordering information: Pressure regulator

In- and outlet-fittings:
see data sheet "Fittings"

U33 - 0.3 - M - NFG

Outlet pressure P_2

0.05 - 5- 50 mbar
0.3 - 30- 300 mbar
0.6 - 200- 600 mbar
1.5 - 400- 1500 mbar

Type of gas

NFG - non flammable gases
FG - flammable gases
O₂ - oxygen

Pressure gauge \varnothing 100 mm

M - with pressure gauge
0 - without pressure gauge

Pressure gauge Part number

0 - 100 mbar 770.50353
0 - 400 mbar 770.50354
0 - 1 bar 770.50355
0 - 2.5 bar 770.50356
Pressure gauge sealing: 452.08020