

Pressure regulator ZT300

spectro **tec**



Pressure regulator ZT300

Product features

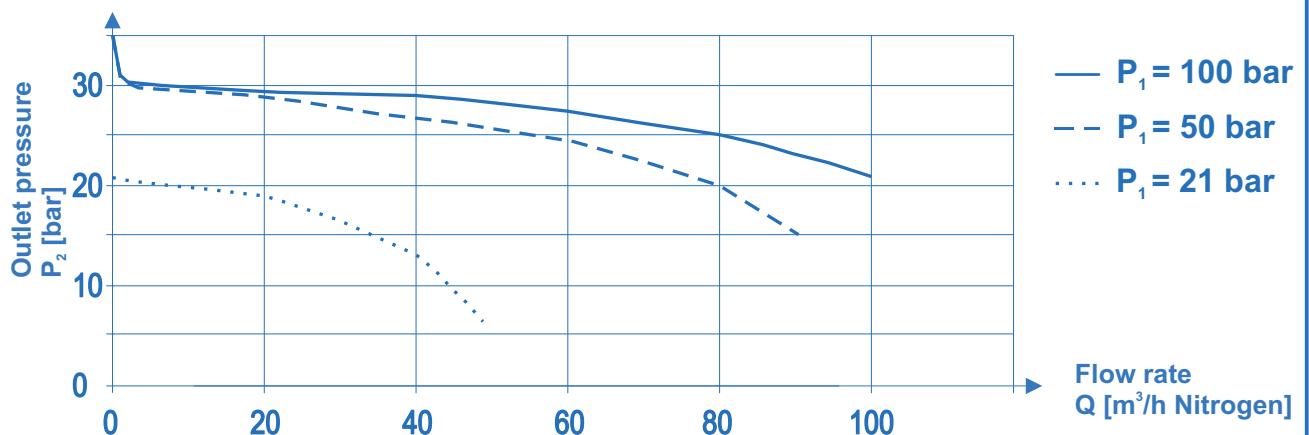
- Piston pressure regulator
- To be used for a 300 bar gas supply system
- Outlet according to cylinder connection DIN 477-1 available *
- For non-corrosive industrial gases
- Central filter in the pressure regulator
- Safety pressure gauge acc. to DIN EN ISO 5171
- Pressure regulator with integrated relief valve

* other connections upon request

Technical data

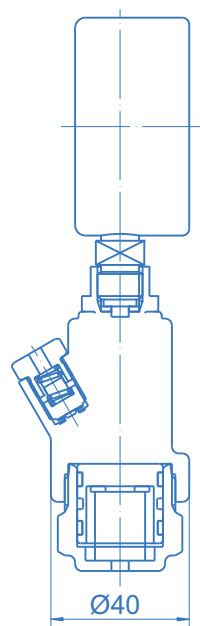
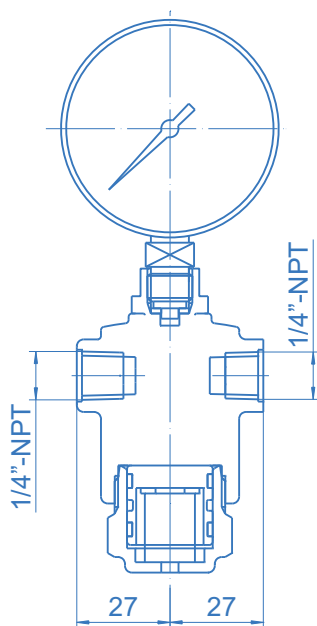
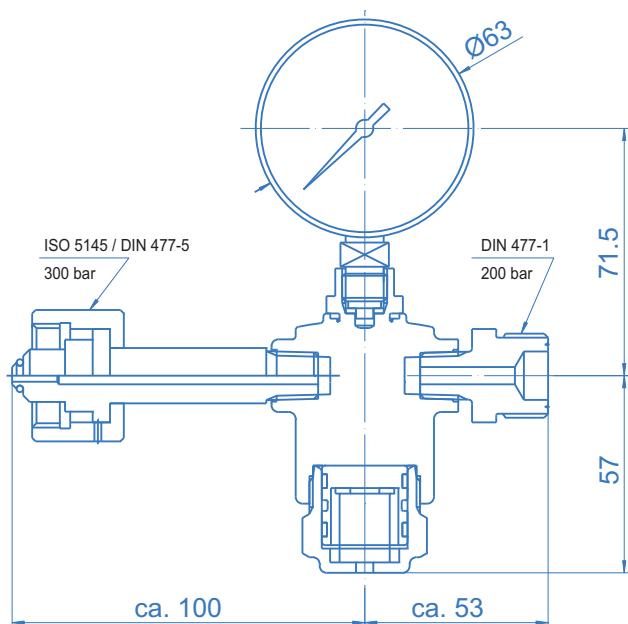
Type	single-stage
Flow rate Q	max. 100 m ³ /h
Inlet pressure P₁	max. 300 bar
Outlet pressure P₂	max. 45 bar
Materials	
Body:	brass
Bonnet:	brass
Piston:	brass
Valve seat:	PA
Connections	
Inlet:	1/4"-NPT female or cylinder connection
Outlet:	1/4"-NPT female or thread for cylinder connection
Inlet pressure gauge port:	G 1/4"- female
Outlet relief valve:	1/8"-NPT female
Temperature range	-30°C to +60°C
Leak rate	<10 ⁻³ mbar l/s He
Weight	ca. 1,2 kg
without connections:	ca. 0,7 kg

Flow rates ZT300



Pressure regulator ZT300

Dimensions and connections pressure regulator ZT300



Article-numbers: Pressure regulator ZT300

Inlet (300 bar)

1/4"-NPT female
 ISO 5145 Nr.31 / DIN 477-5 Nr.56
 ISO 5145 Nr.32 / DIN 477-5 Nr.59
 ISO 5145 Nr.30 / DIN 477-5 Nr.54
 ISO 5145 Nr.30 / DIN 477-5 Nr.54
 ISO 5145 Nr.38 / DIN 477-5 Nr.57

Outlet (200 bar - thread)

1/4"-NPT female
 CA / compressed air
 O₂ / Oxygen
 N₂ / Nitrogen
 rare gases
 H₂ / Hydrogen

Article number

71709377
 71709430
 71709429
 71709428
 71709431
 71709432